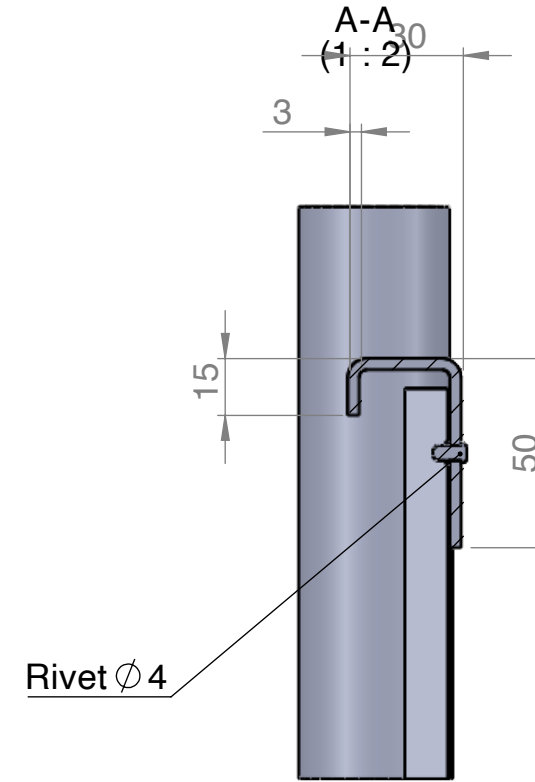
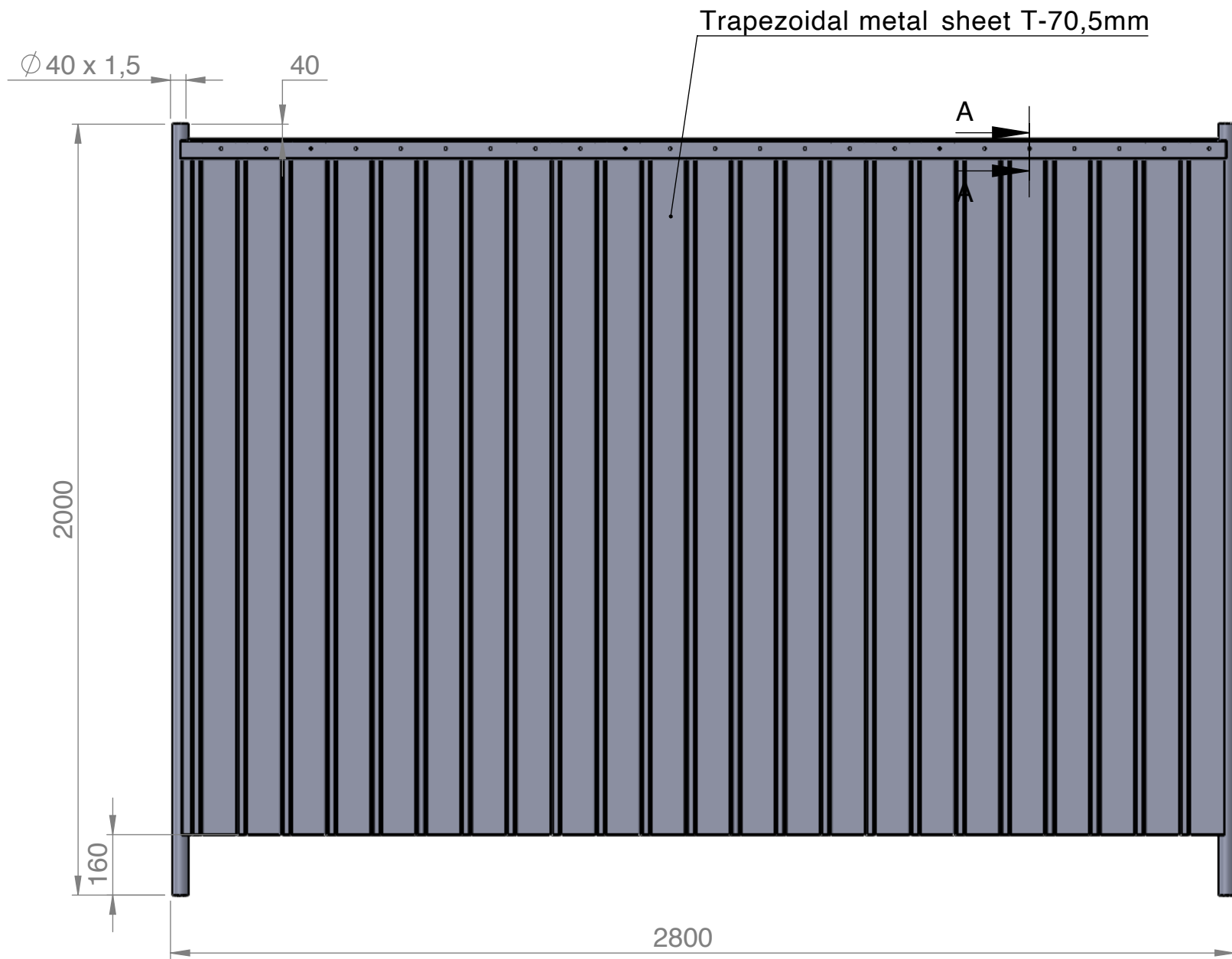
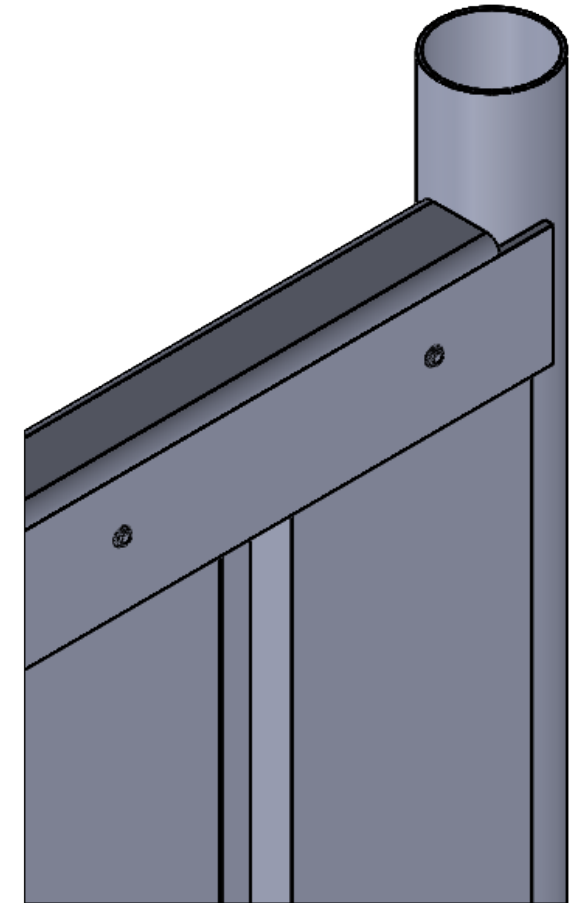


ALL DIMENSIONS IN MILLIMETERS



Rivet $\varnothing 4$



TITLE: SPG2-T280 Bauzaun geschlossen

NAME	SIGN	DATE	WEIGHT:
DRAWN BIŃCZAK		16/02/23	36 kg
CHK'D			
FINISH: HOT DIPPED GALVANISED	TOLERANCE:		±5%

www.bauzaun-discount.de

CODE: 90100 Revision

SCALE: 1: 15 SHEET 1 OF 1 A3