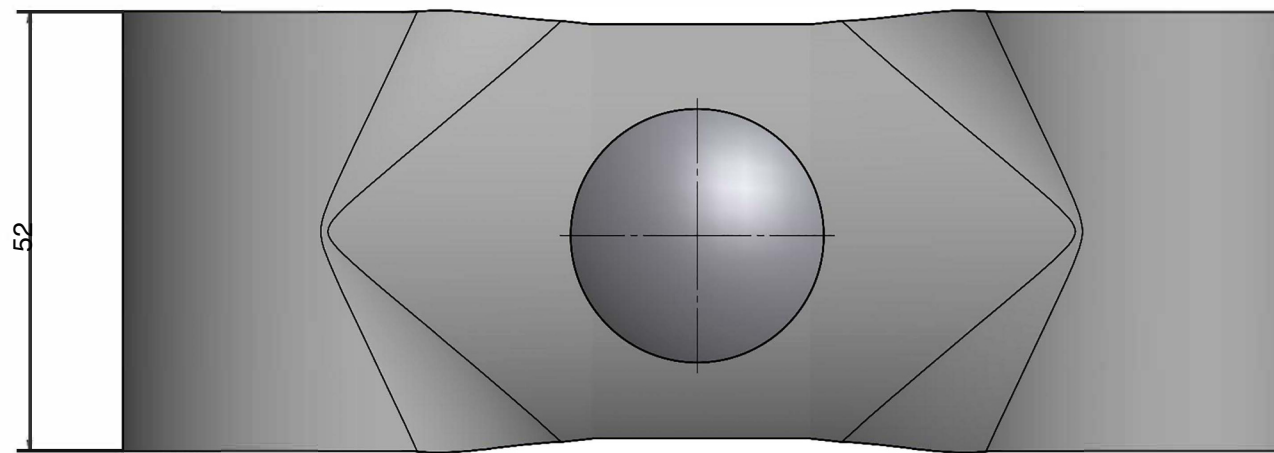
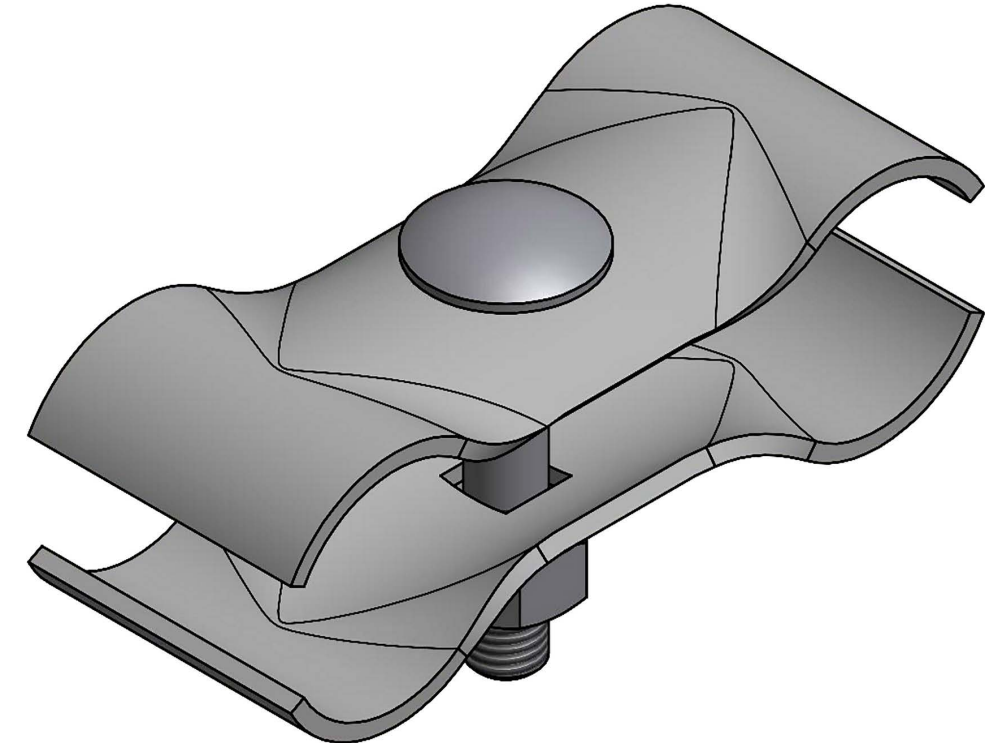
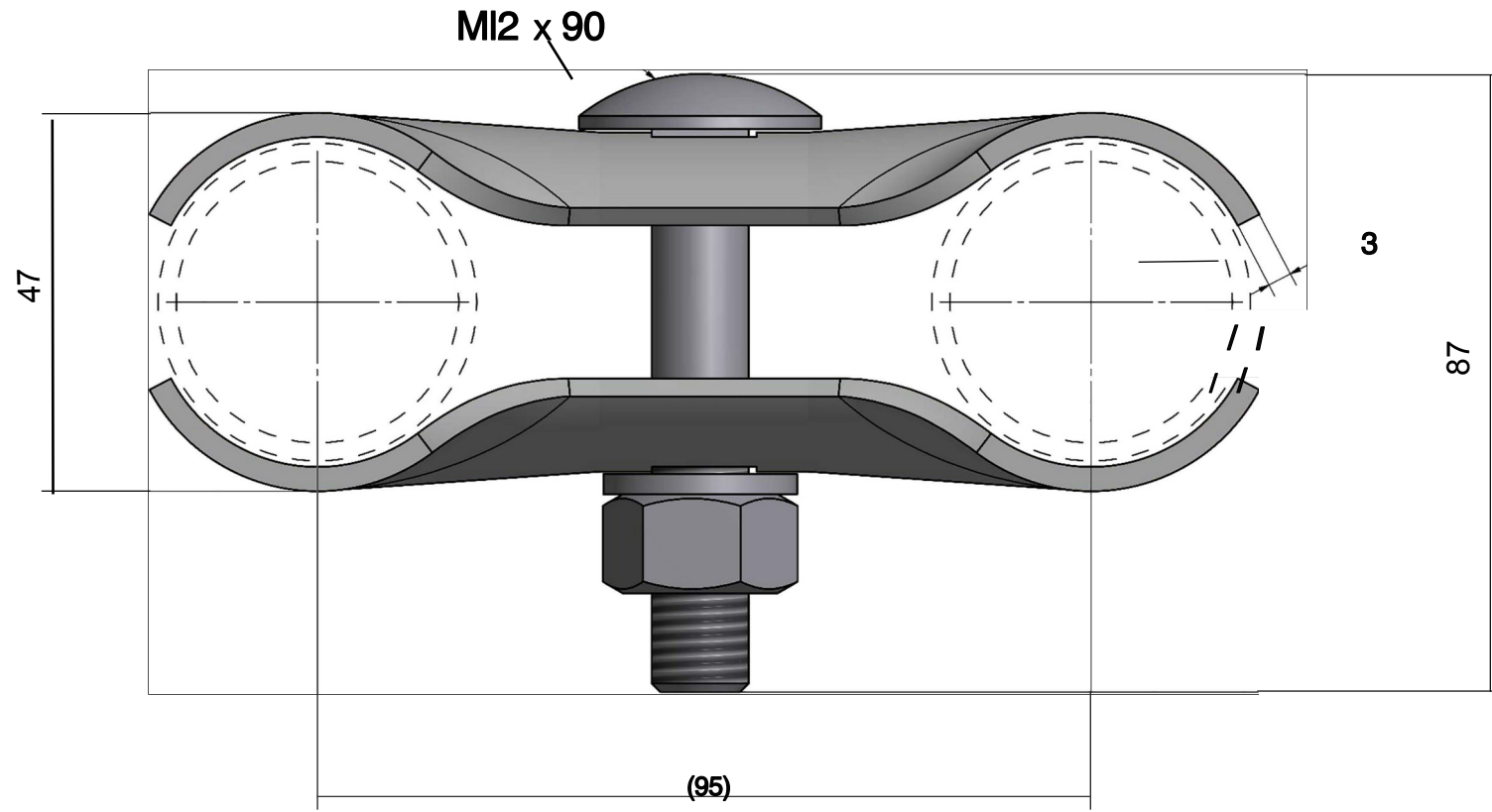


ALL DIMENSIONS IN MILLIMETERS



TITLE: S1-01S Verbindungsschelle

NAME	SIGN	DATE	WEIGHT: 0,5
DRAWN: BIŃCZAK		15/02/23	
CHK'D			

FINISH: HOT DIPPED GALVANISED TOLERANCE: ±5%

www.bauzaun-discount.de

CODE: 90004

Revision

SCALE: 1: 10

SHEET 1 OF 1

A3