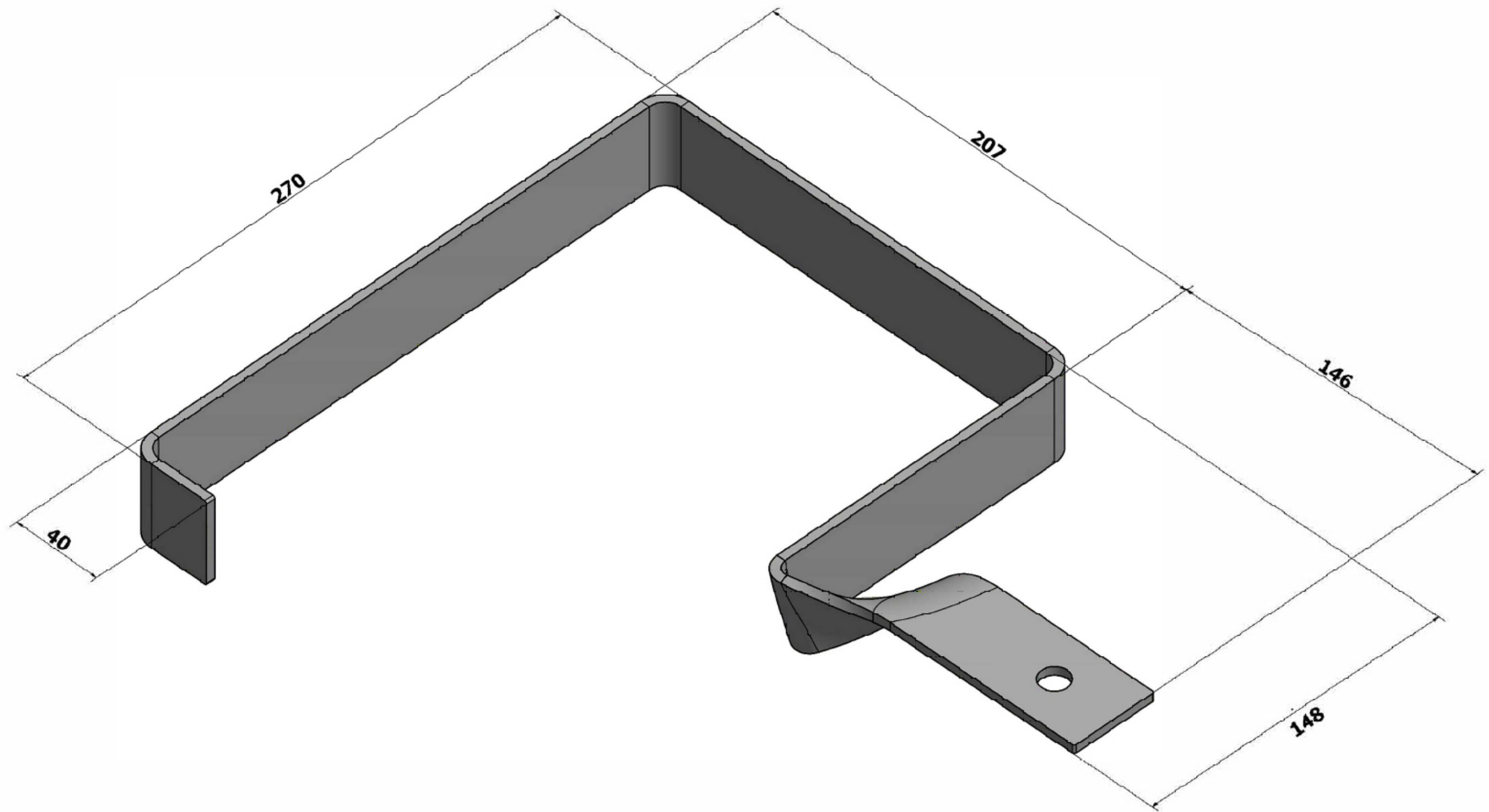


ALL DIMENSIONS IN MILLIMETERS



|                               |  |      |          |                     |  |              |  |
|-------------------------------|--|------|----------|---------------------|--|--------------|--|
| TITLE:                        |  |      |          | Aushebesicherung S2 |  |              |  |
| NAME                          |  | SIGN | DATE     | WEIGHT:             |  |              |  |
| DRAWN: BIŃCZAK                |  |      | 03/02/23 | 1,5 kg              |  | CODE:        |  |
| CHK'D:                        |  |      |          | TOLERANCE:          |  | 75170        |  |
| FINISH: HOT DIPPED GALVANISED |  |      |          | ±5%                 |  | Revision     |  |
| SCALE: 1:1                    |  |      |          |                     |  | SHEET 1 OF 1 |  |