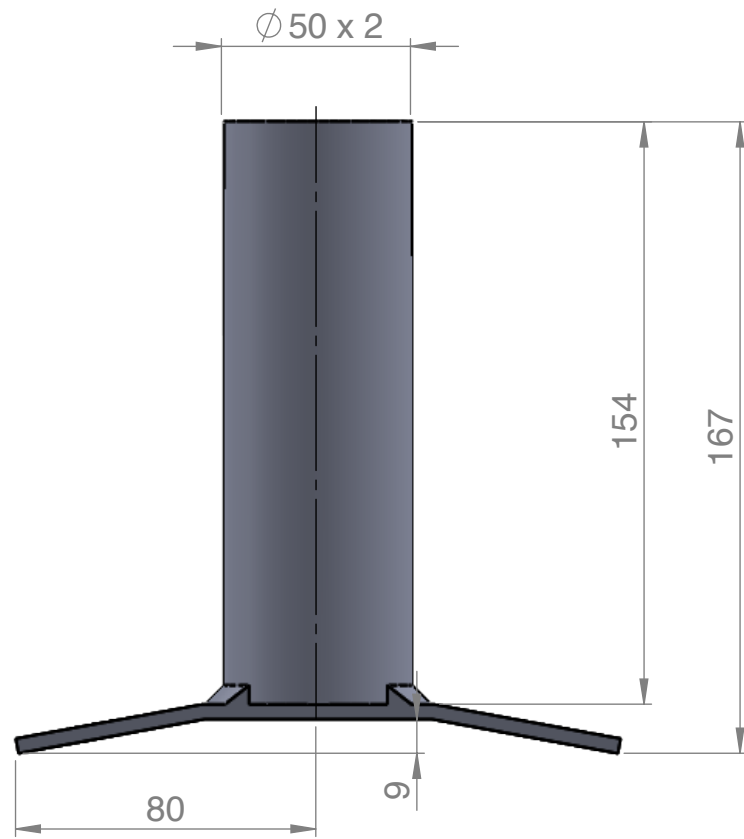
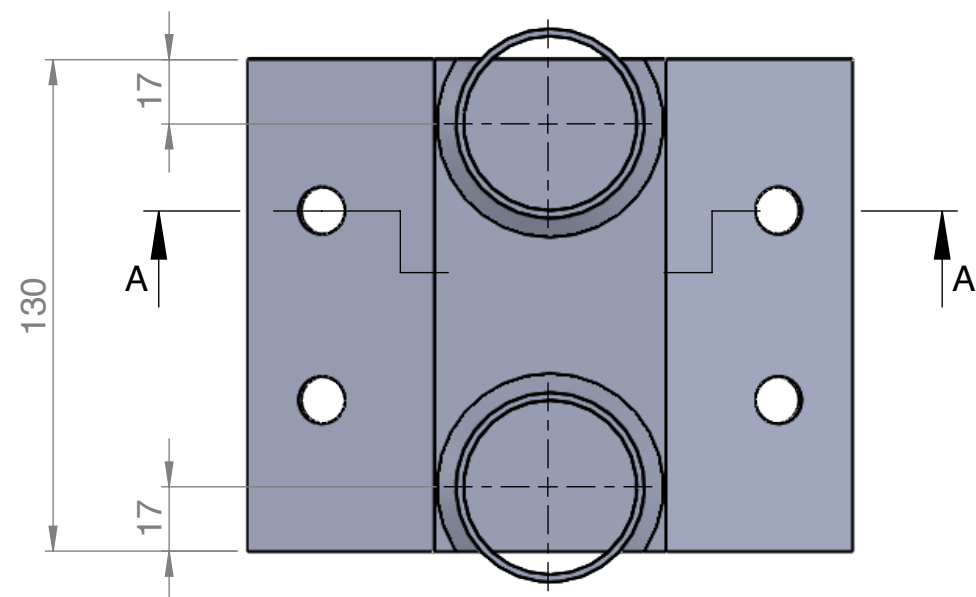
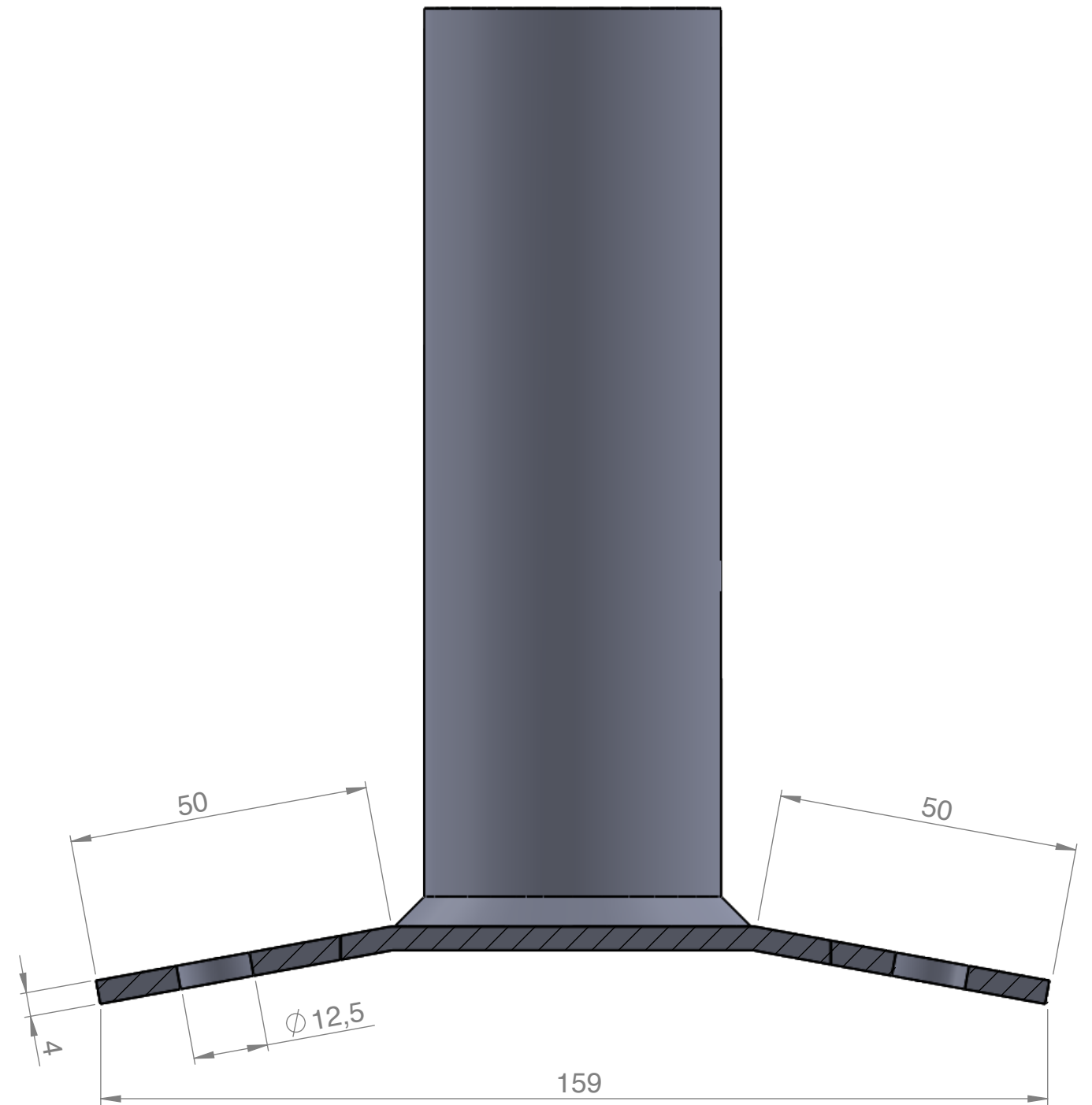


ALL DIMENSIONS IN MILLIMETERS



A-A  
(1 : 1)



TITLE:				Bodenplatte F08			
NAME	SIGN	DATE	WEIGHT:	1,5 kg			
DRAWN	BIŃCZAK		03/02/23	FINISH:	HOT DIPPED GALVANISED	TOLERANCE:	±5%
CHK'D				CODE:	75181	Revision	
SCALE: 1: 2				SHEET 1 OF 1		A3	