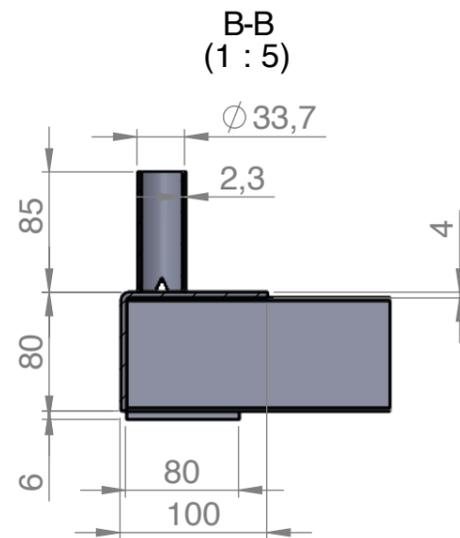
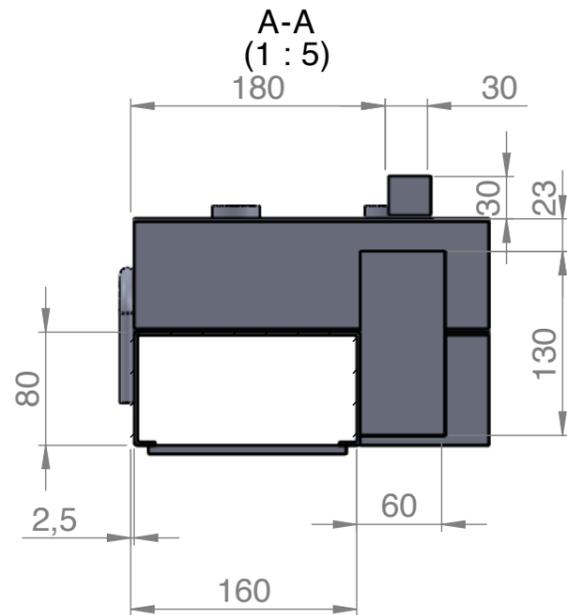
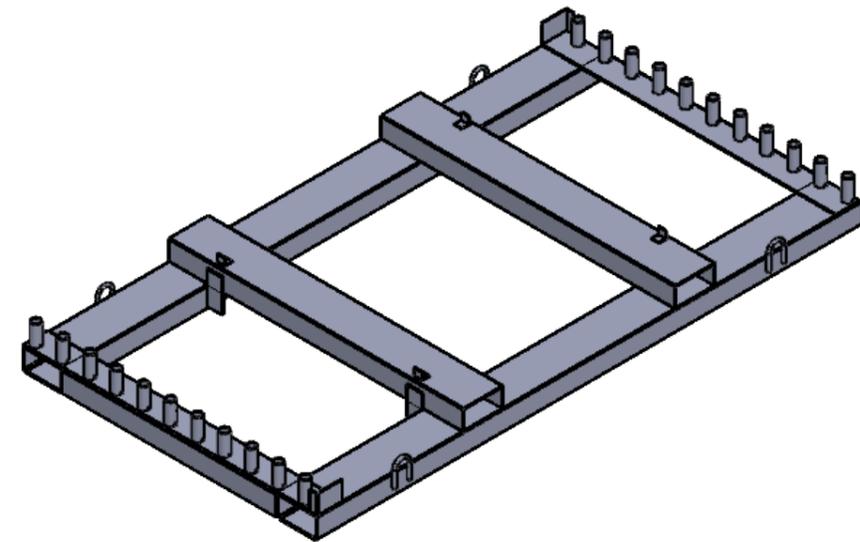
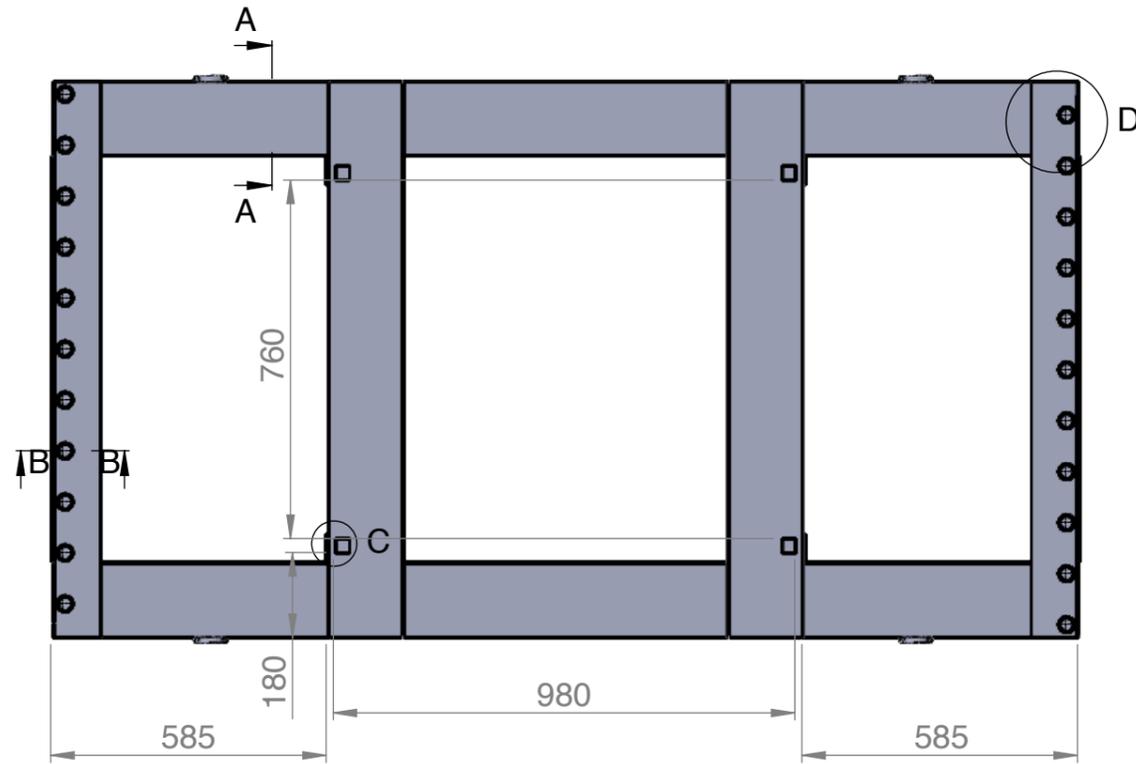
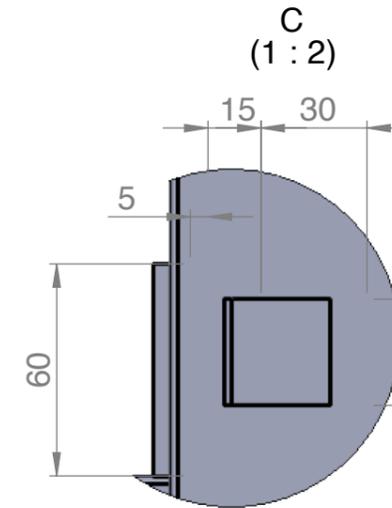
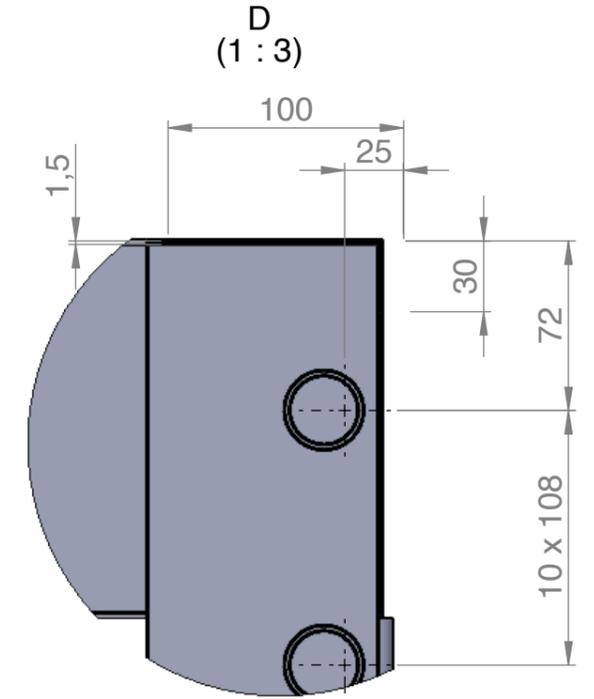
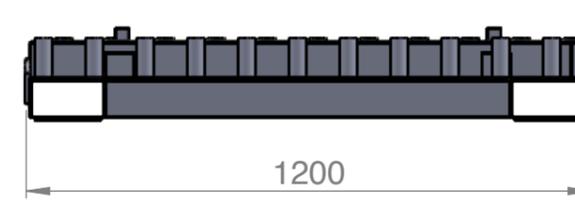
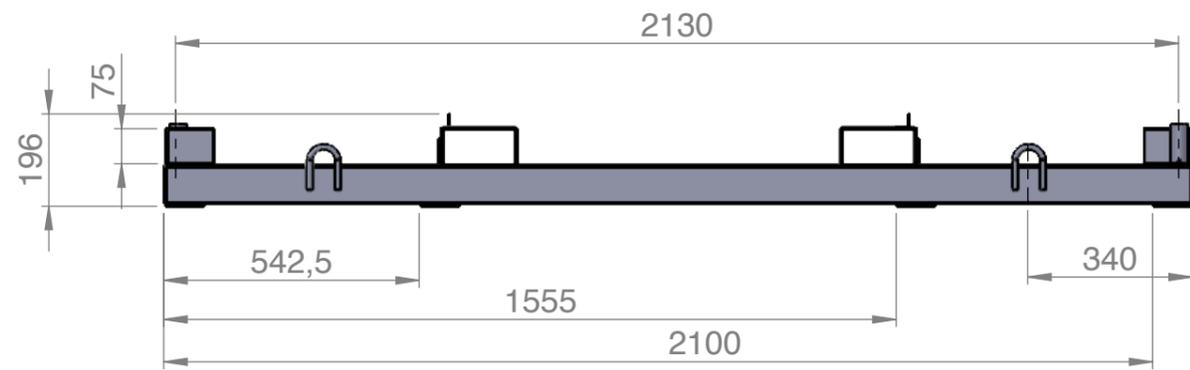


ALL DIMENSIONS IN MILLIMETERS



TITLE: **Transportpalette TP2-20**

NAME	SGN	DATE	WEIGHT:
DRAWN BIŃCZAK		03/02/23	<b>76 kg</b>
CHK'D			

FINISH:	TOLERANCE:
	<b>±5%</b>

**www.bauzaun-discount.de**

CODE:	Revision
	<b>90055</b>

SCALE: 1:15 SHEET 1 OF 1 A3