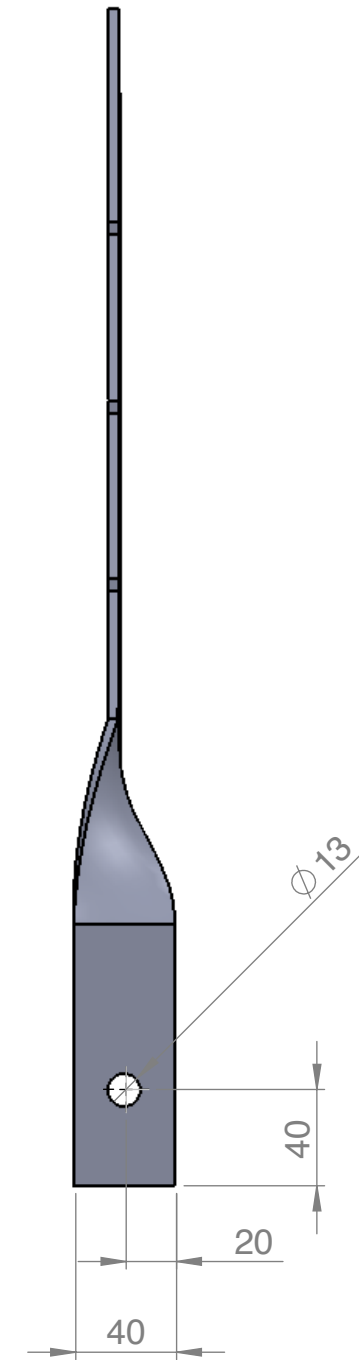
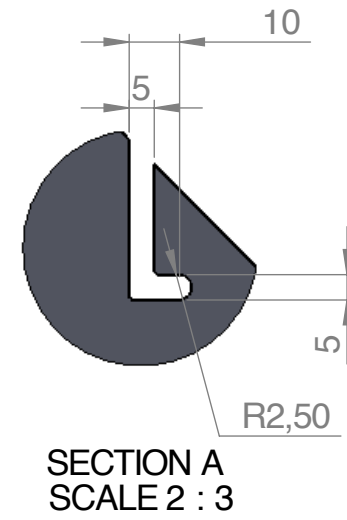
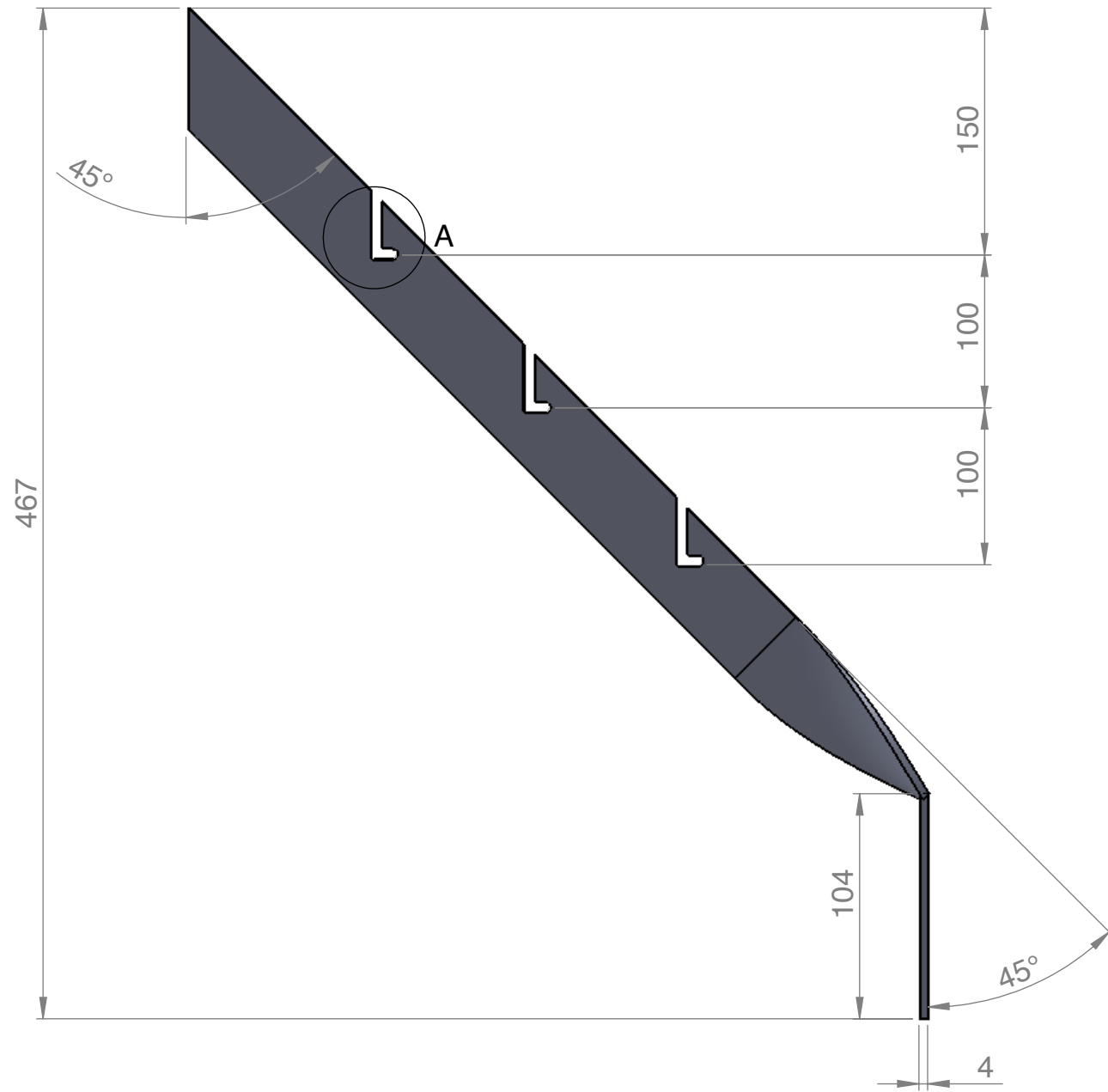


ALL DIMENSIONS IN MILLIMETERS



S10-04Stacheldrahthalter 45°

| | | | |
|---------|-----------------------|---------|----------------|
| NAME | SIGNATURE | DATE | MATERIAL: |
| DRAWN | BNCZAK | 29/9/17 | |
| CHKD | | | |
| FINISH: | HOT DIPPED GALVANISED | | TOLERANCE: ±5% |

www.bauzaun-discount.de

| | | |
|------------|--------------|----------|
| CODE | 90201 | Revision |
| SCALE: 1:4 | SHEET 2 OF 2 | A3 |